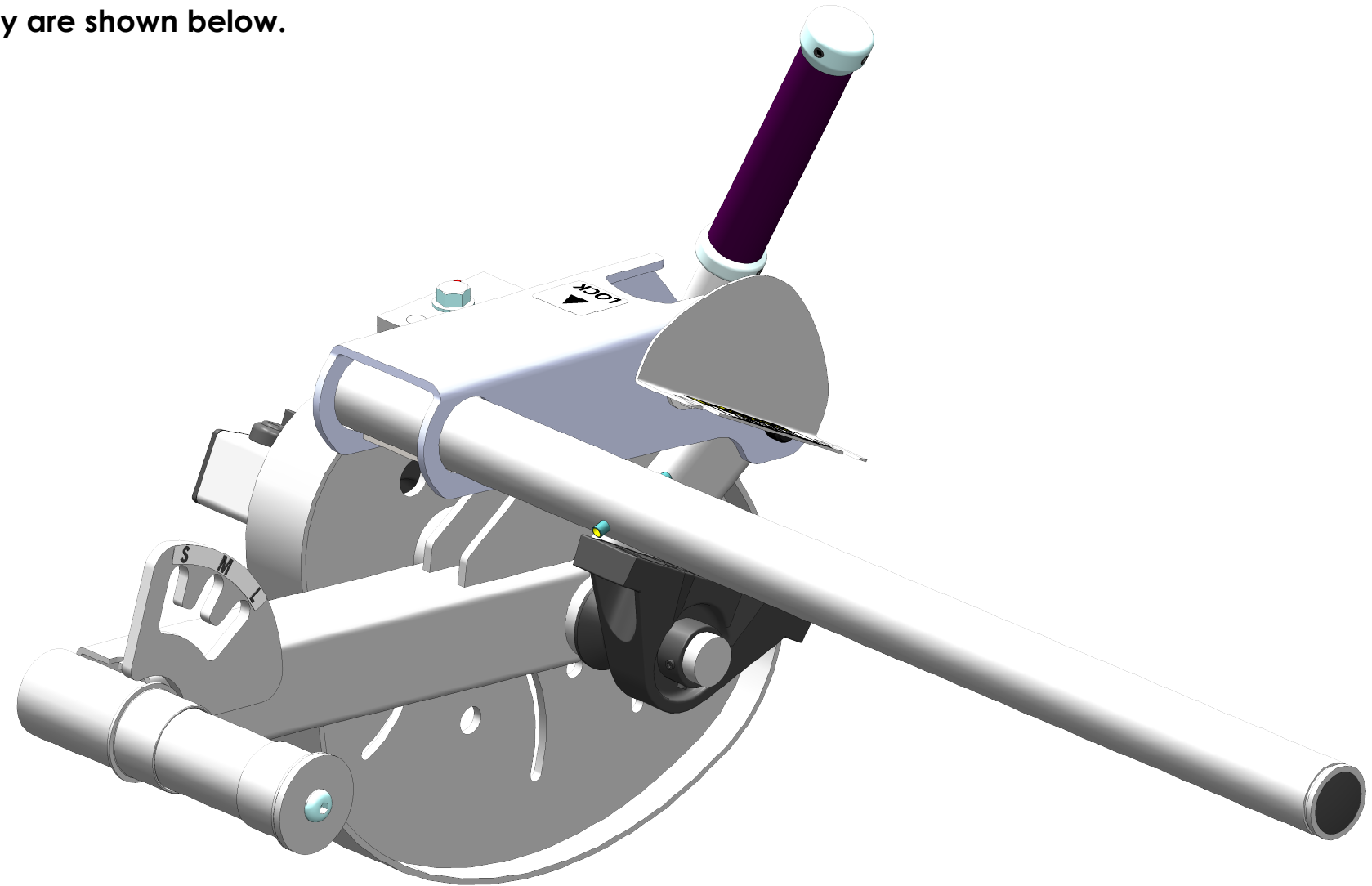




**Red: PAINTED ITEMS**  
**Blue: KITS**

1. All labeled components are to be assembled before shipment unless otherwise noted.
2. All bearings are to be pressed in with force applied to outer ring only.
3. All hardware to be torqued to specs listed in chart below.
4. Special notes if any are shown below.

PART NO.	Default/QTY	DESCRIPTION
01-1105	1	3/8 -16 UNC x 1 1/2 Bolt
01-1362	1	1/2 -13 UNC x 3 1/2 Bolt
01-4051	1	BOLT BH , 3/8 -16 x 1" ZINC
01-3120	1	SHSS 1/2" x 3"
02-3055	4	SCREW, SET, 1/4 -28 UNF x 1/4
02-9250	1	3/8 -16 UNC x 2 1/4 Bolt
03-1035	2	3/8" Lock Nut
03-1055	1	1/2" Nylon Insert Lock Nut-Thin
03-5103	1	3/8" Hex Nut
04-2095	1	WASHER FLAT 3/8 X 2 X 0.166
04-5206	5	WASHER, FLAT, 3/8" SAE
04-5207	1	WASHER, FLAT, 1/2" SAE
05-1040	2	BUSHING BRASS 1/2 X 3/4 X 3/4
05-1225	2	FLANGE BEARING
05-5110	2	IGUS FLANGE .625 ID x .719 OD x .5L
07-7041	1	1/4 X 2 ROLL PIN
07-9916	1	Pillow Block Bearing Cover
08-2056	2	MOLDED SHAFT SPACER
09-1112	1	7/8 X 5 GRIP
09-2020	1	1 1/2 SQ 11 GA FRAME PLUG
09-3071	1	1/4" DIA HOLE PLUG BLACK MP0250
09-3078	2	BLACK HOLE PLUG MP-1093
09-4092	2	BUMPER
09-8000	1	Belt Keeper
09-9530	1	GRIP RING .905 ID (FOR 7/8" BAR)
09-9560	1	GRIP CAP .905 ID (FOR 7/8" BAR)
12-1026	1	DECAL, KEEP HANDS AWAY
12-1142	1	LEG CURL MA DECAL
12-1704	1	S8LC LOCK DECAL
19-1575	2	BEARING - PILLOW BLOCK 1"
56-0450	1	Bowtie Locking Cotter Pin
56-0499	1	Pin, Clevis 3/8" X 1"
56-0569	1	LINK DRIVE PIVOT SLEEVE
56-0570	3	LOCK LEVER TOGGLE
56-0583	1	SLEEVE NYON 1" I.D.
LK631	1	BELT CLAMP
MA627B	1	MOVEMENT ARM WELDMENT
MA669	1	KNEE PAD MOUNT RIGHT
MA670	1	KNEE PAD LOCK LEVER RIGHT ASSY



**S3/S5 LC MOVEMENT ARM TOGGLE  
RELEASE UPGRADE KIT  
95-0589**

Bolt Torque Specifications		
Size	Grade 5	Grade 8
	Torque (ft-lbs)	Torque (ft-lbs)
1/4-20	8	12
1/4-28	10	14
5/16-18	17	25
3/8-16	30	45
7/16-14	50	70
1/2-13	75	110
1/2-20	90	120
5/8-11	150	220
5/8-18	180	240

Customer Service & Parts 800/ 235-2233  
General Parts Requests: parts@medfitsys.com  
Field Service Requests: servicerequest@medfitsys.com  
GSA Parts Requests: gsa@medfitsys.com  
Med-Fit Systems, Inc. 800/ 831-7665

[www.medfitsystems.com](http://www.medfitsystems.com)

REV F

